

SHAHIN TABLE

Product



Colours

Description

The Shahin Table Lamp is closely related to our Shahin pendant. The size of this table lamp makes it a decorative feature for any window sill, console table or bedside table.

Dimensions

Lamp height	43	cm
Lamp diameter	Ø23	cm
Wire length	150	cm
Item weight	4	kg

Material

Mouth blown glass, brass and textile cord.

Shahin Table

EAN: 5713874290020

Style No.: 29002

Package information

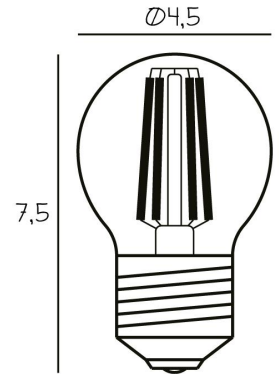
Package type: Cardboard box
 Package Measurement:
 L - 48 x W - 30 x H - 29 cm
 Package weight - Total: 4,9 kg
 Number of parcels: 1 pcs.
 Colli quantity: 1 pcs.

Contents

- Lamp
- Cord w. switch

Light source

Recommended bulb type: Arbitrary bulb Ø45
 Socket: E14
 Voltage: 220 - 240 V (CE)
 110 V (US)
 Max. light output:
 3,5 W LED
 Colour Temp.: 2200 Kelvin
 Lumen: 245
 Dimmable: Yes
 Lightbulb incl.:
 No



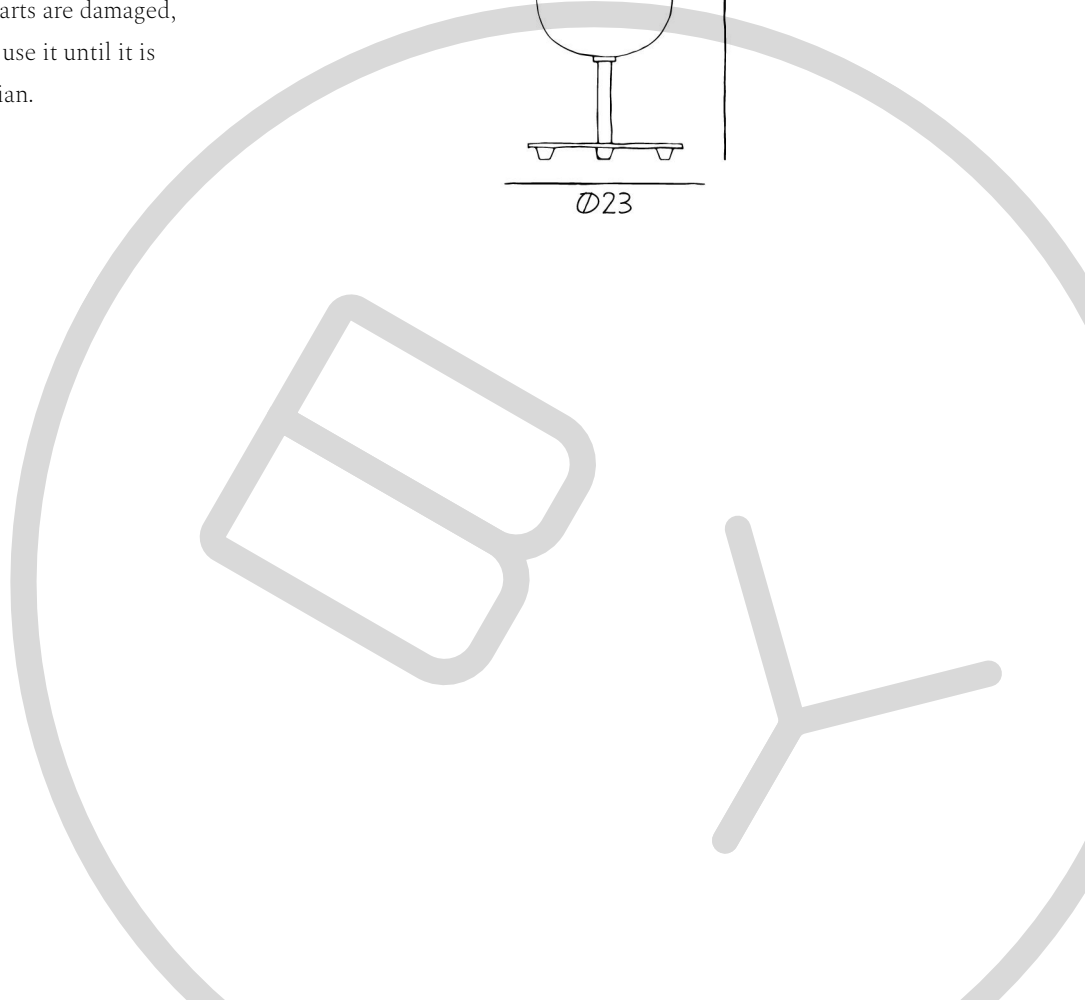
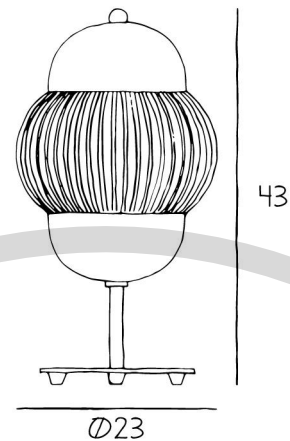
Use restrictions

Environment - Indoors
 IP Classification - IPXX
 Certifications and labels

Safety instructions

If the cord or other electrical parts are damaged, switch off the lamp and do not use it until it is repaired by a qualified electrician.

Technical drawing

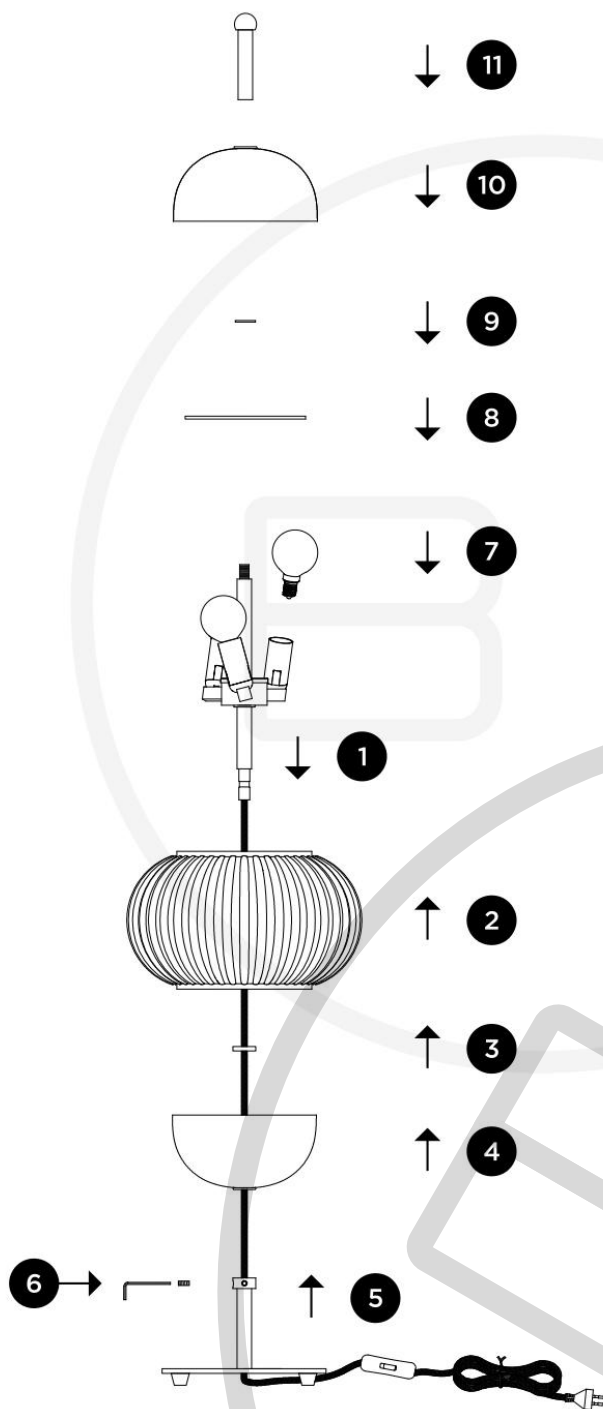


SHAHIN TABLE MOUNTING INSTRUCTIONS

NB! When handling this lamp please always handle with care as this is a **fragile product**.

NB! Always read the mounting instructions before mounting. If you do not feel comfortable please call a qualified electrician.

NB! For best light distribution always use frosted bulbs. Max 40W in total.



- 1 Carefully guide the cord and base through the hole in the white glass.
- 2 Carefully press the white glass onto the base until it sits tight.
- 3 Guide the base rod through the small metal ring.
- 4 Carefully guide the base rod through the clear glass and make sure it is placed correct.
- 5 Place the base rod in the hole in the foot and make sure everything is in place.
- 6 Press slightly down on the lamp and tighten the three hex screws little by little.
- 7 Mount all the bulbs.
- 8 Carefully place the frosted disc over the thread.
- 9 Place the small protective disc on top of the frosted disc.
- 10 Carefully place the second clear glass shade and make sure it is placed correct.
- 11 Lower the metal tube onto the glass and press slightly while twisting and tightening.